

DELTA

PREVENTION

Guardrail kit for roof ladder



NON-PENETRATING ROOF LADDER PROTECTION

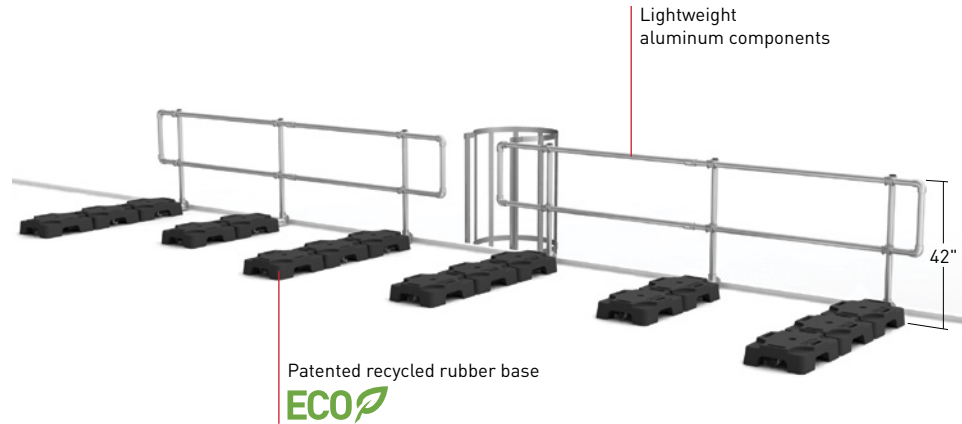


GUARDRAIL KIT FOR ROOF LADDER

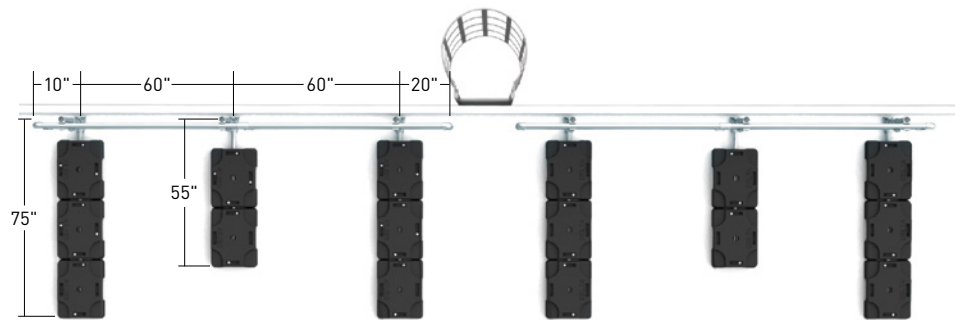


IMPROVE SAFETY AROUND LADDER ACCESS POINTS

- No damage to roof thanks to freestanding design
- Aluminum finish preventing paint from peeling over time
- Recycled rubber base offering best grip on roof surface without extra sacrificial mat
- Ultimate resistance to rust and deterioration from rain, temperature changes and acidic environments
- Quick and easy installation
- Fits roofs with or without parapet wall
- Compliance certification included
- 10 year warranty*

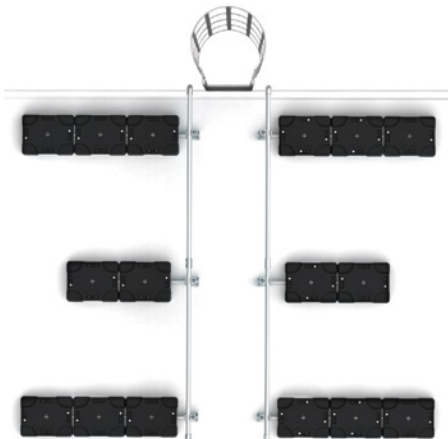


SKU#:VSSLADDERKIT



Alternative installation:

Perpendicular configuration creates ideal distance to install a compliant warning line perimeter.



Optional:

Self-closing ladder safety gate
SKU#:GATE24



Specifications:

Length:	12'6"/side
Height:	42"
Width:	75"
Ladder safety gate opening width:	22.75" - 26.5" (optional)
Counterweight:	50 lb/base
Counterweight material:	Recycled rubber
Railing & upright material:	6061-T6 aluminum
Railing & upright OD:	1.9"
Junction & clamp material:	Galvanized steel
Hardware material:	Stainless steel
Set screw torque:	30 lb/ft (except CL201: 20 lb/ft)
Usage:	Permanent
Design patent:	#162620
Shipping weight:	1030 lb
Complies with:	CNBC: 4.1.5.14 OSHA: 1926.502, 1926.501 Ontario Building Code: 4.1.5.14 WorkSafeBC: 11.2 CNESST: 2.9.2, 3.8.2

* See manufacturer warranty policy

CONTACT US TO FIND A DISTRIBUTOR NEAR YOU

DELTA
PREVENTION

www.deltaprevention.com
7000, Industrial Blvd, Chambly (Quebec) J3L 4X3
CANADA

1-844-855-4273
info@deltaprevention.com