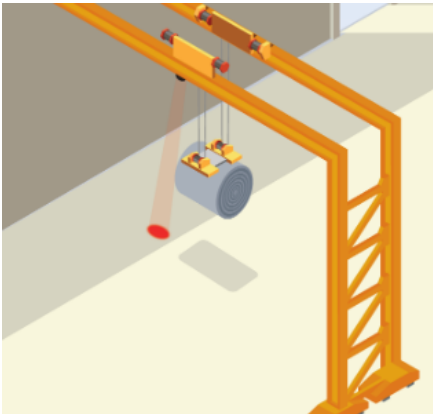


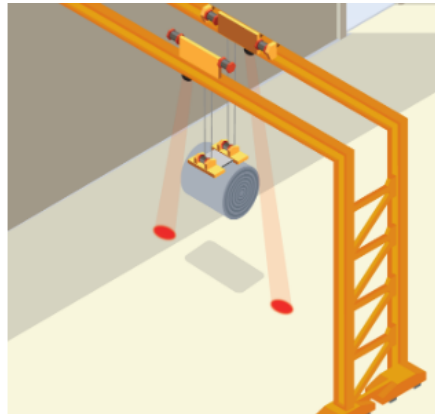


SafetyCast

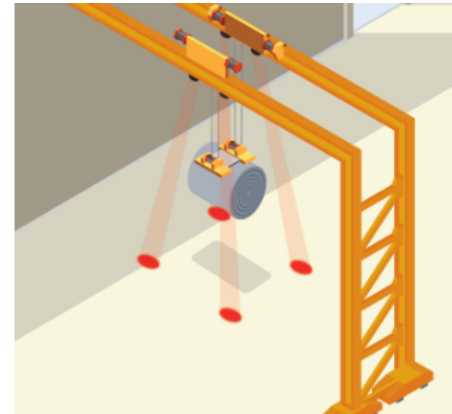
Part Number: HSCR243SX



Single Spot Red



Leading and Trailing Spot Red



Four Corners Spot Red

Overview:

Safety Cast Systems are the ideal solution for adding bright, visual warnings in areas where conventional wall and floor markings are easily missed or obstructed. Features include high-output lamps and rugged construction. Floor spot projections are perfect for heavy traffic areas that do not show markings in certain lighting conditions or due to wear. A line projection outlines a safety warning around heavy equipment and machinery where additional safety is required.

Key Features:

- *Color Options:* Red/Green/Blue
- *Expected Life:* 50,000 hours
- *Projection Type:* Dot/Line/Arrow
- *Package Includes:* LED mounted into enclosure with bracket

The Hazard Safety Projection Series was developed to address the safety concerns in warehouses, dock and loading areas, or any industrial workplace area where heavy mobile equipment shares workspace with pedestrians. These products were researched and developed by Laserglow in conjunction with some of the leading lighting manufacturers in the industry. Some of the products in this series are also ideal guidance systems for dock approach, load stacking and off-loading.

Specifications:

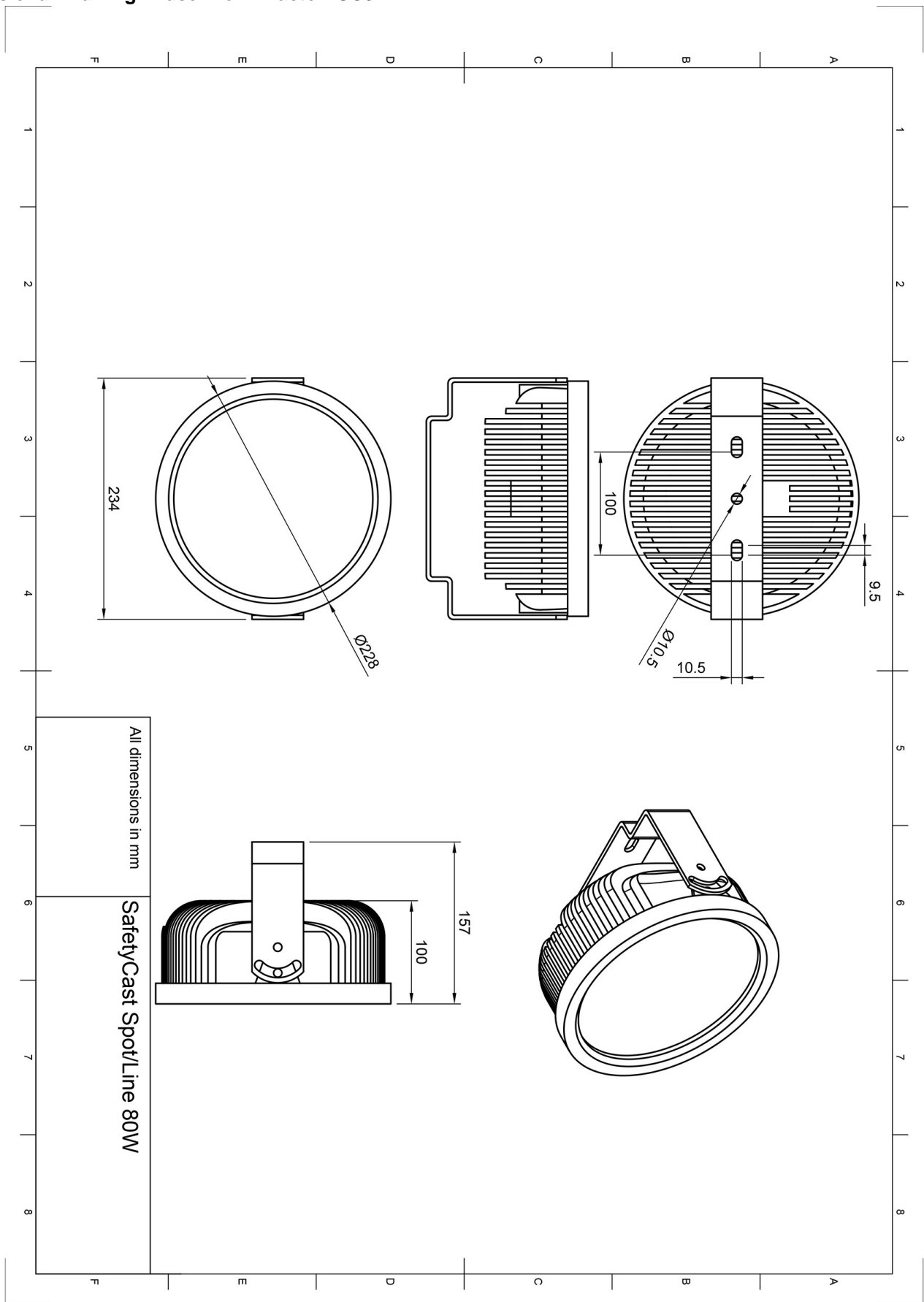
This spec sheet has been generated specifically for part number HSCR243SX, per your request, and data for the entire series is also displayed for your reference. The specs which are specific to HSCR243SX have been highlighted below in **red + bold**.

Total Power Consumption (W)	6	6	9	18	18, 72 , 120, 135	27
Projection Type (See below for detail)	Spot	Arrow	Beacon	Line	Line Spot	Spot
Projection Fan Angle (°, full angle)*	6			100	6 , 50, 100	6
IP rating	65	65	65	65	65	65
Storage Temperature Range (°C)	-20 to 40	-20 to 40	-20 to 40	-20 to 40	-20 to 40	-20 to 40
Standard Warranty (months)	12	12	12	12	12	12
MTTF (operational hours)	50000	50000	50000	50000	50000	50000
Weight (kg)	1.4	1.4	1.4	2	5.4	2.3
Power Supply	10-80 VDC Input	10-80 VDC Input	10-80 VDC Input	10-80 VDC Input	10-80 VDC Input	10-80 VDC Input

All specifications are based on performance at full power . Output characteristics may change if the product is run at reduced power.


* Other projection angles are available upon request. Contact our sales team if your application requires different projection angles.

Dimensional Drawing - Laser Form Factor: SC5:



Accessories:

The most popular accessories for model HSCR243SX are shown below. For additional details regarding these or other accessories please see our website or contact us directly.

Part Number	Description	
Image Coming Soon! APH25VAXX	SafetyCast Class 2 Power Supply 25W	
 HSTCRB1XX	Smart Trigger kit with Retroreflective Beam Break Sensor 30 meter range Retroreflector included	
Image Coming Soon! APH90VAXX	SafetyCast Class 2 Power Supply 90W	

FOR MORE INFORMATION PLEASE CONTACT:

SOLUTIONS PROX-SECUR
5782 Thimens blvd, Saint-Laurent, QC, Canada, H4R 2K9
Tel. 514-333-0077
info@proxsecur.ca

E&OE: Data included in this sheet may be subject to change without notice.
Please confirm critical specifications with our staff prior to ordering.