



**SOLUTIONS  
PROX-SECUR**



## Dockline

**Part Number: HDLG40XXX**



### Overview:

The Dockline System is the perfect truck and trailer docking assistant. These provide the driver with clear, visible indicators to assist in dock approach, reduce docking time, cargo damage and reduce possible injury to dock handlers.

### Key Features:

- *Output Power:* 20/40 mW
- *Fan Angle:* 30°
- *Expected Life:* 3000-5000 hours
- *Water Resistant:* IP68
- *Projection Type:* Line
- *Mounting:* Multiple 1/4-20 and M4 mounting points
- *Key Feature:* Projects highly visible red or green lines for high visibility applications.
- *Package Includes:* Laser (focused to infinity) mounted into enclosure with bracket

The Hazard Safety Projection Series was developed to address the safety concerns in warehouses, dock and loading areas, or any industrial workplace area where heavy mobile equipment shares workspace with pedestrians. These products were researched and developed by Laserglow in conjunction with some of the leading lighting manufacturers in the industry. Some of the products in this series are also ideal guidance systems for dock approach, load stacking and off-loading.

## Specifications:

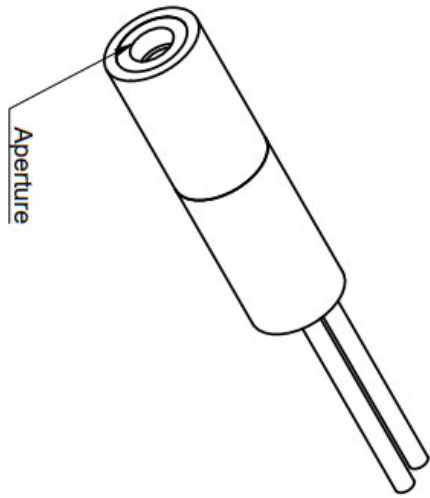
This spec sheet has been generated specifically for part number HDLG40XXX, per your request, and data for the entire series is also displayed for your reference. The specs which are specific to HDLG40XXX have been highlighted below in **red + bold**.

Projection Type (See below for detail)	<b>Line</b>
Projection Fan Angle (°, full angle)*	50, <b>100</b>
IP rating	<b>67</b>
Standard Warranty (months)	<b>6</b>
MTTF (operational hours)	<b>10000</b>
AC Power Supply Included	<b>Y</b>
Weight (kg)	<b>0.26</b>
Power Supply	<b>3-6 VDC input</b>

All specifications are based on performance at full power . Output characteristics may change if the product is run at reduced power.

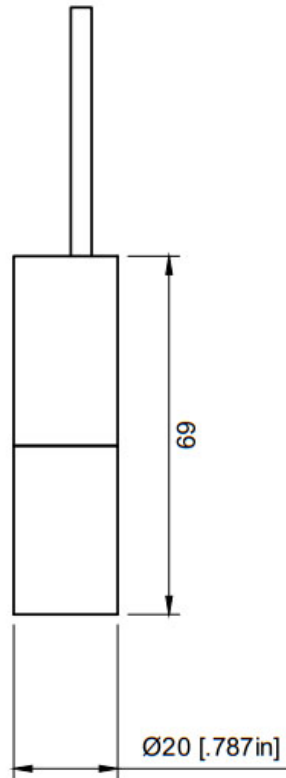
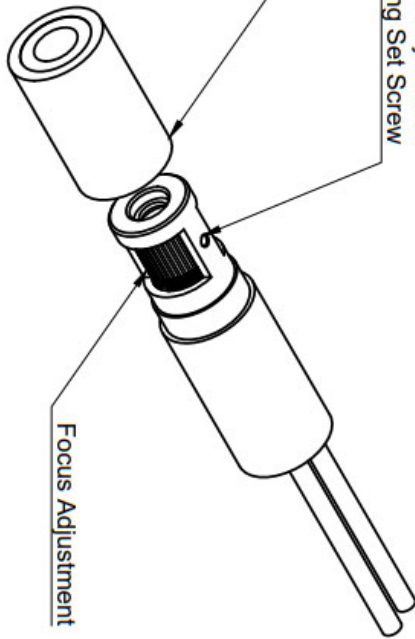
\* Other projection angles are available upon request. Contact our sales team if your application requires different projection angles.

Dimensional Drawing - Laser Form Factor: B9:



Remove front cap to  
access focus adjustment










Focus Adjustment  
Locking Set Screw



Title	
<b>Brightline Premium</b>	
Laserglow Technologies	
Dimensions are in mm [inch]	
The information contained in this drawing is the sole property of Laserglow Technologies. Any reproduction in part or as a whole without the written permission of Laserglow Technologies is Prohibited.	
Rev.	

## Accessories:

The most popular accessories for model HDLG40XXX are shown below.

Part Number	Description	
 ABB000XXX	ABB-standard Brightline Standard Mounting Bracket	
 ABF05A3WX	ABF-N.American Brightline Premium 5V Power Supply (80-260 VAC, N. American plug) 3A w/WP connector For Brightline Premium Only	
 ADB000XXX	ADB-deluxe Brightline Deluxe Mounting Bracket	
 ADB000XXX	ADB-deluxe Brightline Deluxe Mounting Bracket	
 ADBC00XXX	Deluxe Bracket with Claw Clamp	
 AMAC00XXX	Articulating Arm with Claw Clamp	
 AMC000XXX	AMC-Mounting Clamp Adjustable Mounting Clamp 1/4-20 thread	
 AMMA00XXX	AMA-Mounting Arm Articulating Mounting Arm 1/4-20 thread	
 HSTCRMIXX	Smart Trigger kit with Indoor Motion Detection Sensor	

**FOR MORE INFORMATION PLEASE CONTACT:**

SOLUTIONS PROX-SECUR  
5782 Thimens blvd, Saint-Laurent, QC, Canada, H4R 2K9  
Tel. (514) 333-0077  
[info@proxsecur.ca](mailto:info@proxsecur.ca)

E&OE: Data included in this sheet may be subject to change without notice.

Please confirm critical specifications with our staff prior to ordering.