

ForkLine™ Tine Alignment System Datasheet



Overview:

The ForkLine™ Tine Guide is a laser guided tool that provides forklift operators a visual reference allowing them to line up the forks/tines with pallets. The ForkLine™ Tine Guide emits an ultra-bright, 520-nm green laser line (which is 5x brighter to the human eye than red laser lines) so the operators know exactly where the fork tips will touch the pallet or materials. The laser is mounted horizontally and can be adjusted vertically, giving the operator a visual guide for placement of the tines. When the laser line hits the opening of the pallet, it disappears, indicating that the forks are correctly aligned with the pallets.

Specifications:

Laser Module

Class:	3R
Colour:	Green
Wavelength:	520 nm
Input Voltage:	6-30 VDC
Mounting Style:	Magnetic
Operating Temperature:	-20 to +70 °C
Ingress Protection:	IP65

Battery Pack (optional)

Voltage:	11.1 VDC
Current Rating:	2.0A
Capacity:	4000mAh/44.4Wh
Battery Type:	Lithium Ion
Mounting Style:	Magnetic
Operating Temperature:	-20 to +70 °C
Ingress Protection:	IP65
Battery Life:	80 hours on / 400 hours standby

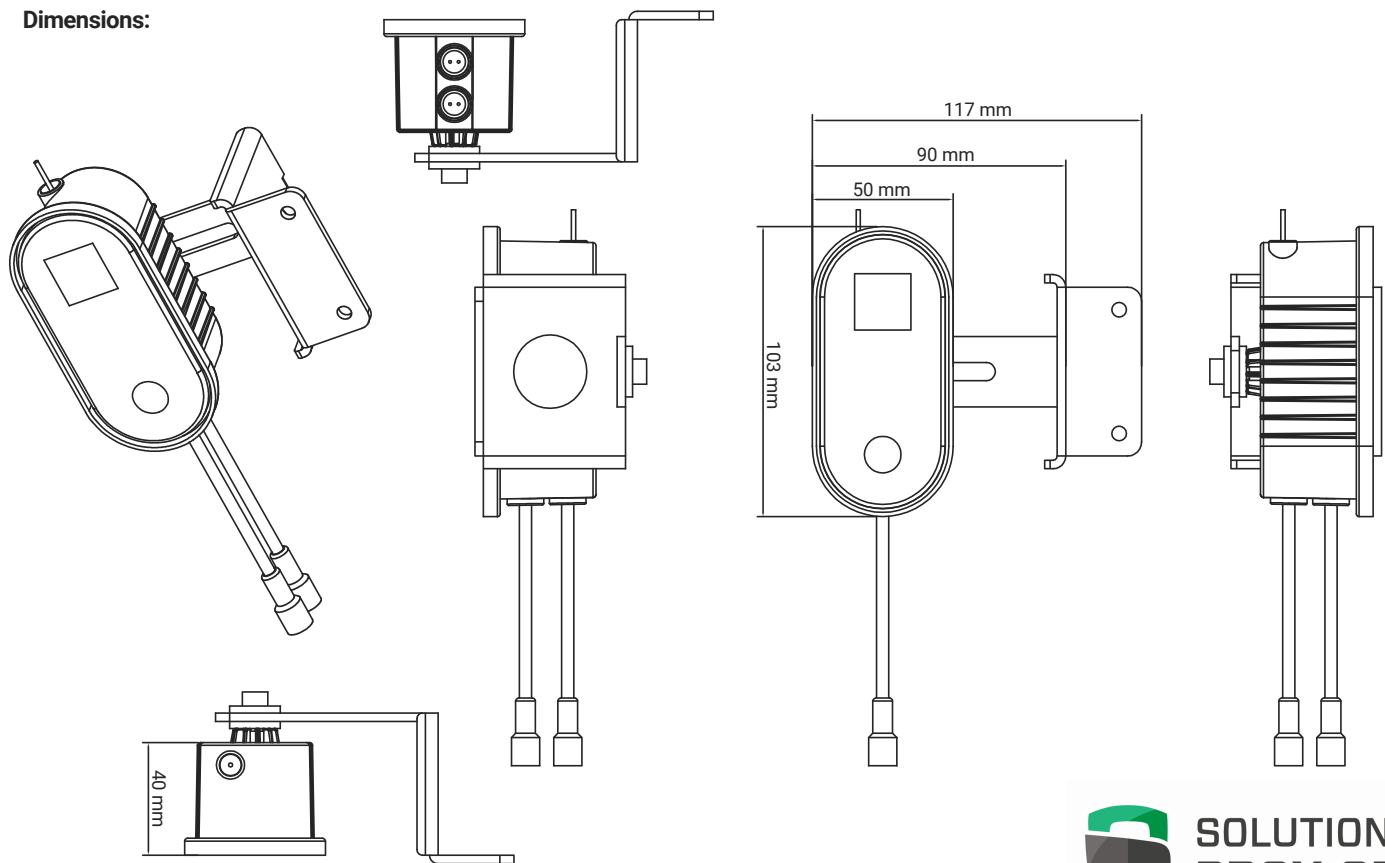
ForkLine™ Tine Alignment System

Components:

1. Laser Module
2. Battery
3. Mounting bracket
4. Remote
5. Charger



Dimensions:



 SOLUTIONS
PROX-SECUR

 Laserglow
Technologies™

Find out more about Sensors:
www.proxsecur.ca



www.proxsecur.ca

For more information please contact:

SOLUTIONS PROX-SECUR
5782 Thimens blvd, QC, Canada, H4R 2K9
Tel. (514) 333-0077
info@proxsecur.ca

E&OE: Data included in this sheet may be subject to change without notice.
Please confirm critical specifications with our staff prior to ordering.